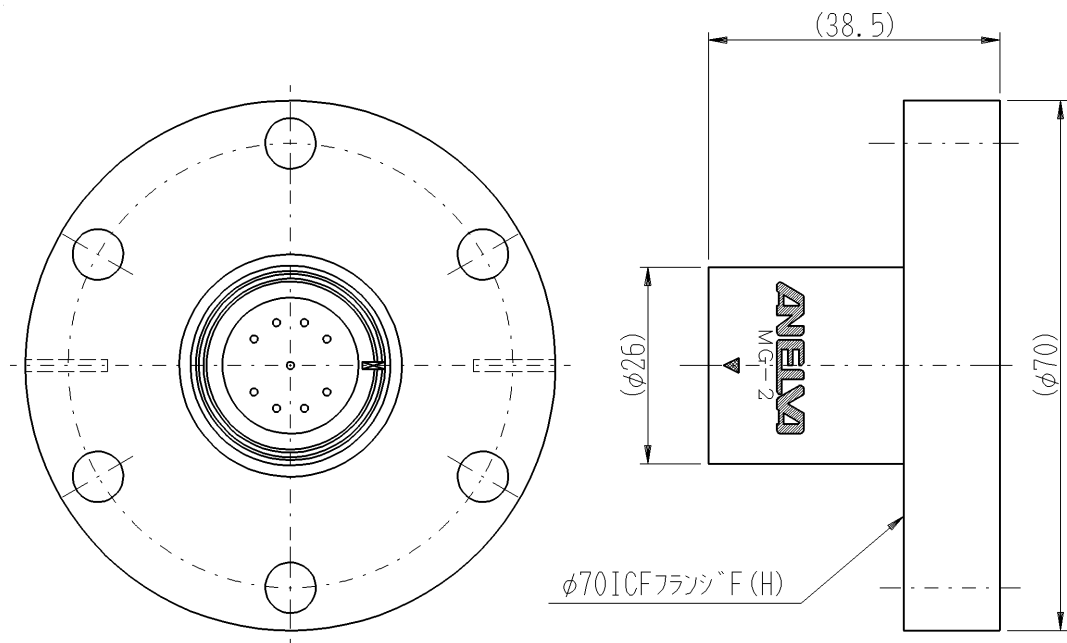


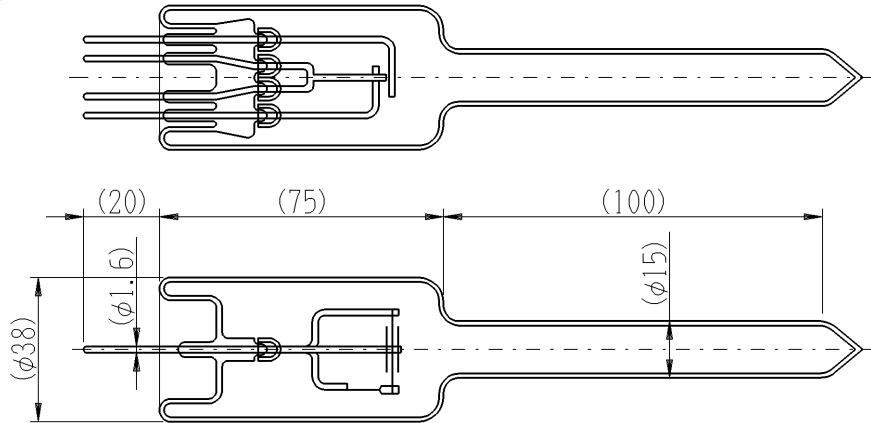
MG-2 / 34 CF	P25-14721	21165
MG-2 / 70 CF	P25-15435	21166

MG-2 / 70 CF A-NET



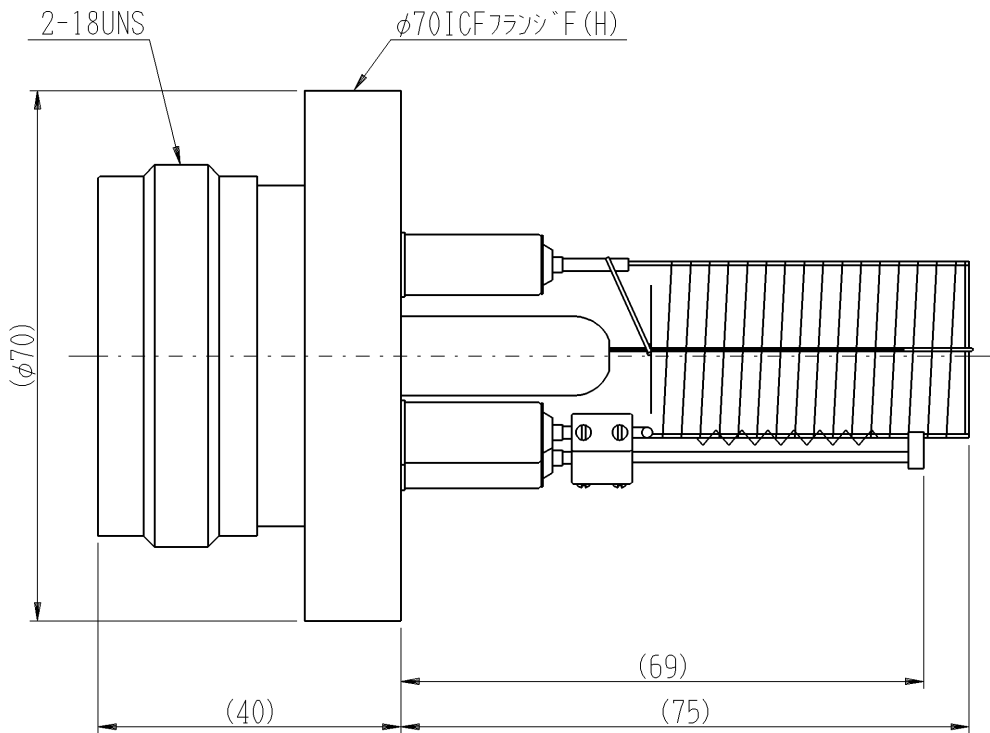
MG-2F	0160-01268A	21161	
MG-2F/VF	0160-02222A		

	15	("O")
	10 ² Pa 10 ⁴ Pa	10 ¹ Pa 10 ⁴ Pa
	0.075Pa ⁻¹ N ₂	
	1.3 × 10 ⁴ Pa	
	400	0 150
	(2)	(1)
	()	()
	-722	-822
		(10Pa)



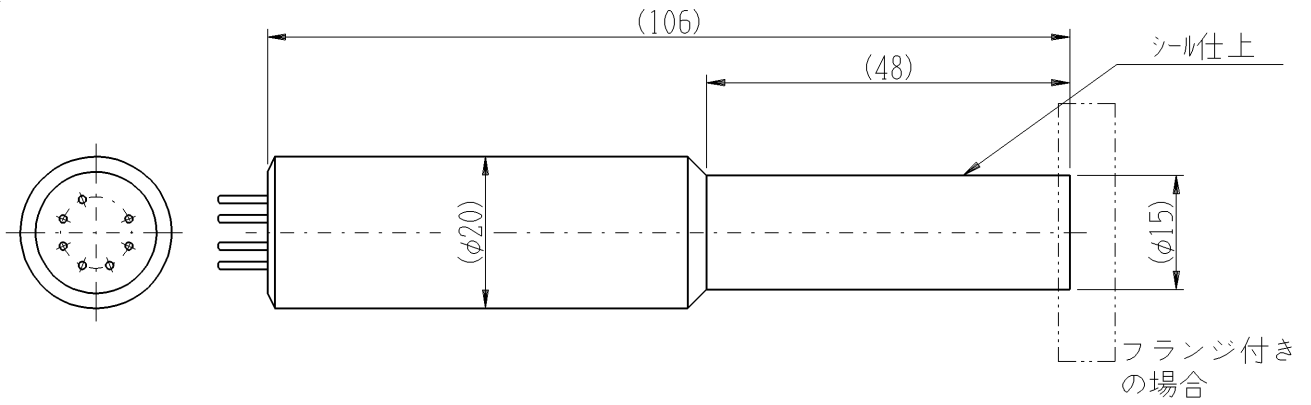
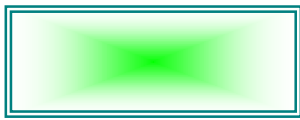
-11	793-0467	21100

	15 ("O")
	10 ¹ Pa 10 ² Pa
	0.003Pa ⁻¹
	10 ⁴ Pa
	400 (0 150)
	(1)
	()
	(10 ¹ Pa 10 ² Pa)



NG-2F/954-7902	783-2411	21120
NG-21F/954-7903	A23-04054	21119

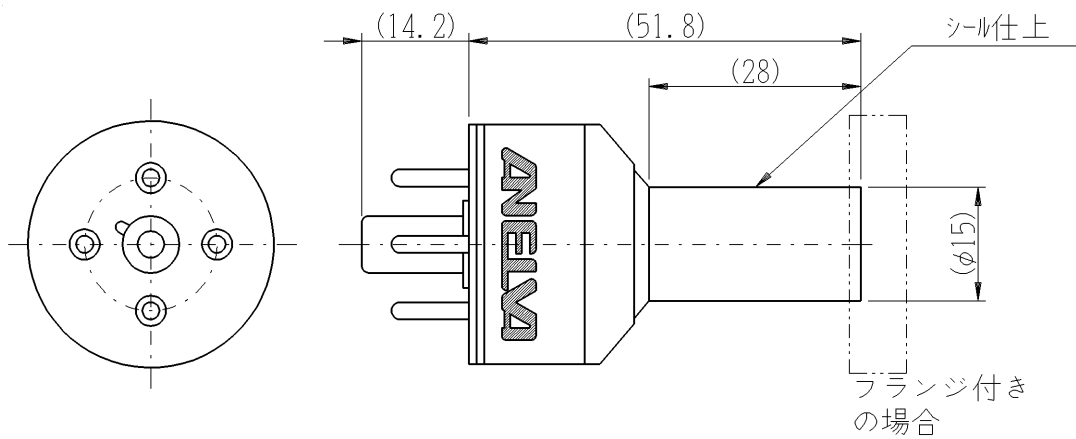
	NG-2F(954-7902)	NG-21F(954-7903)
	70CF	
	10 ³ Pa 10 ³ Pa	
	0.19Pa ⁻¹ N ₂	
	2.7×10 ³ Pa	
	400	
	(2)	(2)
	-92	-10
	10 ³ Pa	()



PG-150	803-0072	21040
PG-150/I CF7C	A26-03640	21041
PG-150/I CF34	A26-01544	21042

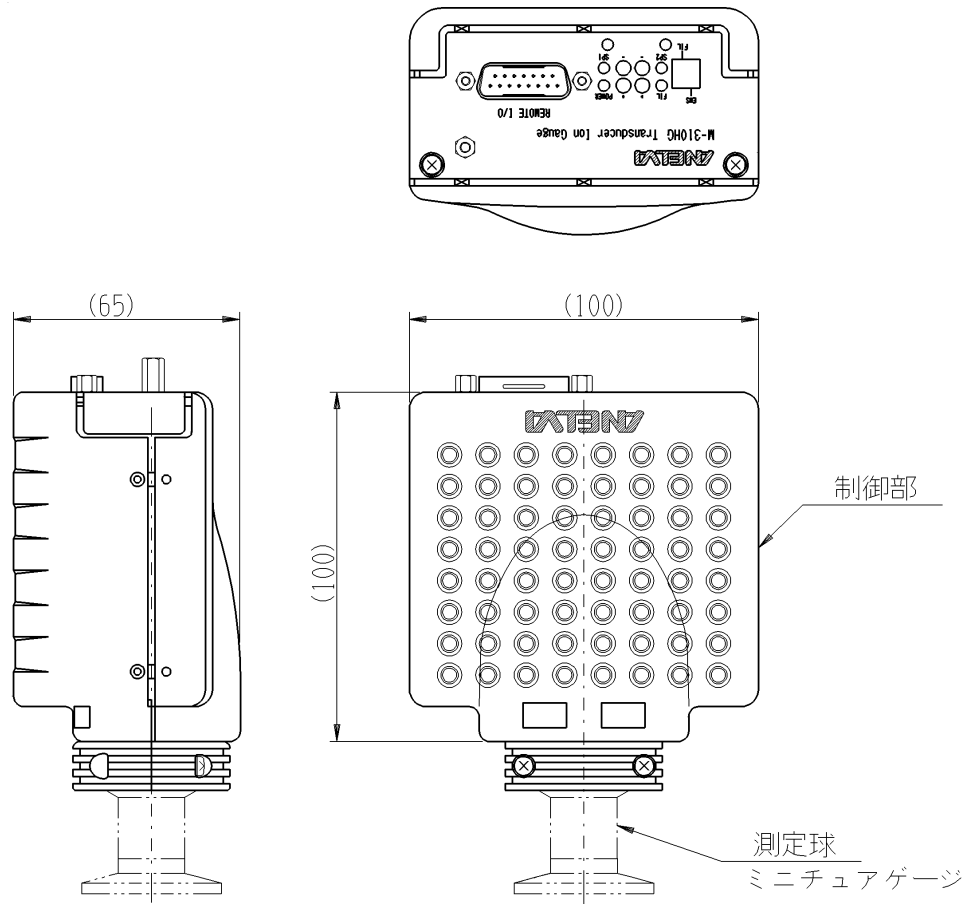
	133Pa 10 ¹ Pa
	(SUS304)
	- / -
	80

200



TG-550C	0161-68109	
TG-550C/I CF7C	0160-08579	
TG-550C/I CF34	0160-08561	
TG-550C/NM10	0160-08553	
TG-550C/NM25	0160-08545	
TG-550C/NM76	0160-08537	

	200Pa 10 ¹ Pa
	(SUS304)
	MO12DM
	M72H-G/822H-G/832H-G/922H-G
	150 ()



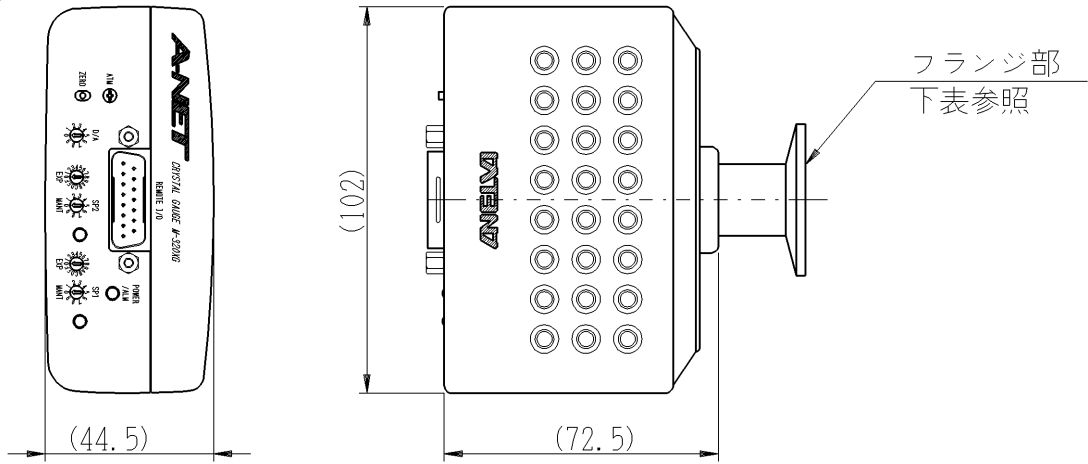
	1× 10 ⁶ Pa 10Pa	100µ A
	1× 10 ⁷ Pa 1Pa	1nA
	100µ A 1nA	
	GRID	
	LOG 0 10V	
	INPUT : ON/OFF(ON/OFF),	
	OUTPUT: 2 ()	
		± 50
	2	
	D-sub 15p	
	POWER FIL, SP1, SP2	
	0 40 70	
	DC22 33V 12W	
	550g	
	0161-26131	
	21550	

MG-2

MG-2 /NW6	P25-14719	21163
MG-2 /NW5	P25-14720	21164
MG-2 /1CF34	P25-14721	21165
MG-2 /1CF70	P25-15435	21166

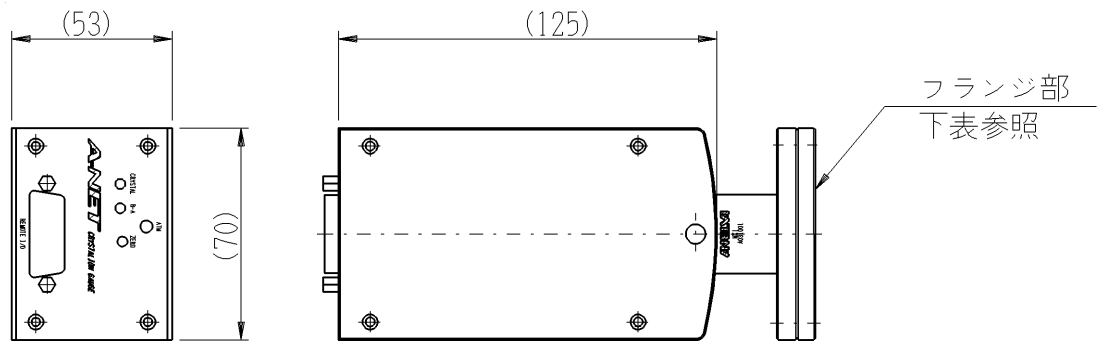
MG-2F

MG-2 /1CF70

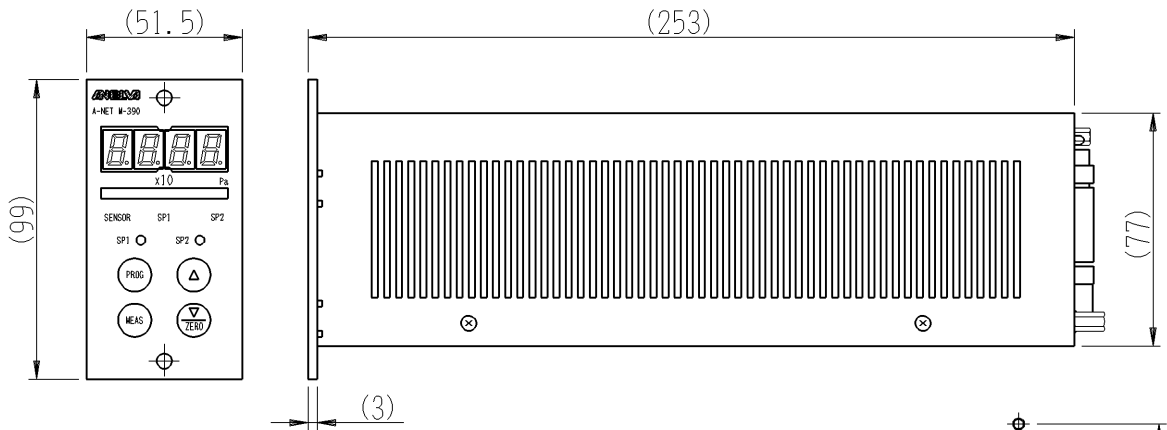


	10Pa
	2bit
	DC 0-10V (1) (2) (3)
	1x 10 ⁰ , 1x 10 ¹ , 1x 10 ² , 1x 10 ³ , 1x 10 ⁴ Pa
	INPUT (1) 2bit (2) OUTPUT (1) 2
	2 SP1, SP2
	5-50 150
	PUSH I/O
	Dsub 15p
	PWR/ALM / 2) SP1-status() SP2-status()
	DC 2.3-3.3V 2W
	200g

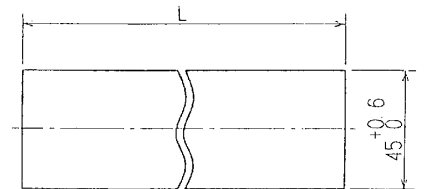
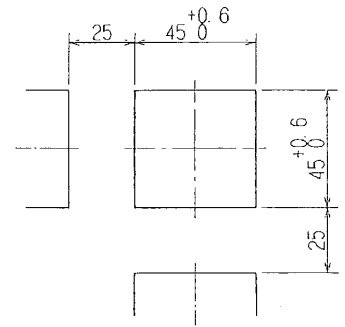
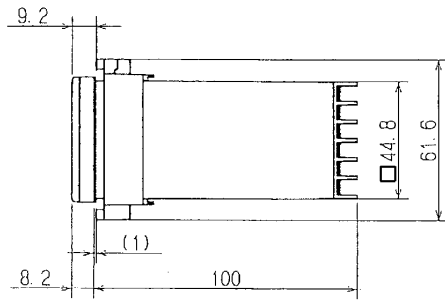
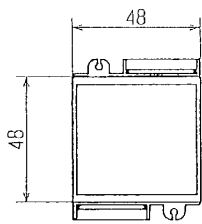
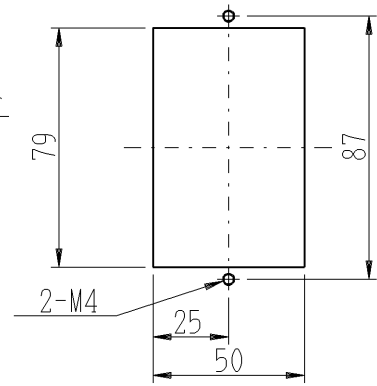
M320XG	89-2282	21560	
M320XG/N16	0160-01349	21561	+ N16
M320XG/N25	0160-01331	21562	+ N25
M320XG/C34	0160-01365	21580	+ ICF34
M320XG/C70	0160-01373	21581	+ ICF70
M320XG/VG70	0160-01357	21582	+ VG70
XG-1/N16	H21-3280	21575	N16
XG-1/N25	H21-3281	21576	N25
XG-1/ICF34	H21-3282	21577	34 ICF
XG-1/ICF70	H21-3283	21578	70 ICF
XG-1/VG70	H21-3284	21579	70 VG



	4× 10 ⁹ Pa 1.33× 10 ⁶ Pa B-A NW 10 ⁴ Pa 1CF : 10 ⁷ Pa
	DC22 26V 12W ON DC 1.6A
	LOG 0 10V B-A 1 100
	1 B-A ON 2 B-A ON 3 4
B-A ON/OFF	B-A ON 4Pa B-A OFF 8Pa B-A
B-A	13Pa ± 50
	1
	B-A
	Dsub 15p
	480g NW6
	5 40 150 MAX



パネルカット
(単体)



1 10m

$$L = 48 \times n - 30$$

n : 取付台数 ($2 \leq n \leq 6$)

	330 310 320 251 261 251 261	
	1/8	
	2 24 0 5	4 250 1
	4 (
A-NET	24	
	85 132	21.6 26 4
	1300	340
	2	

- 390	21563	
- 391	21583	
390-03BA	21567	- 310
390-03BA	21564	3
390-10BA	21568	5
390-15BA	21569	10
390-20BA	21570	15
390-03CR	21571	20
390-05CR	21575	- 330
390-10CR	21572	3
390-15CR	21573	5
390-20CR	21574	10
390-05CC	21566	- 320
390-10CC	21587	15
390-15CC	21588	20
390-20CC	21589	5

